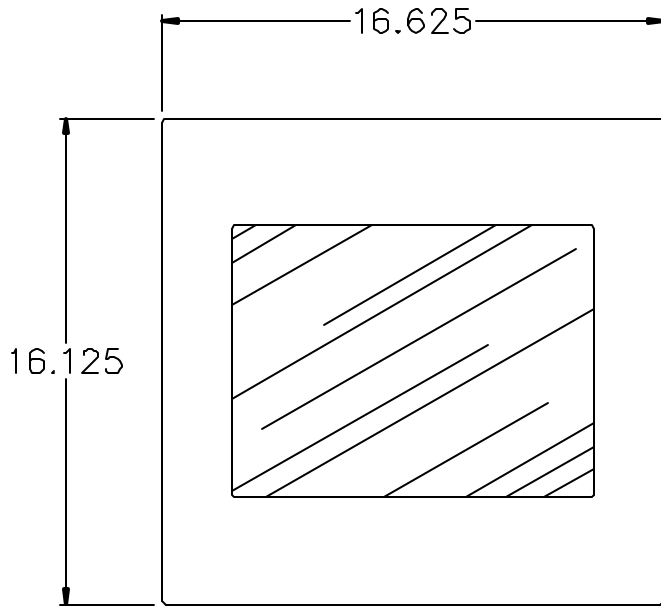
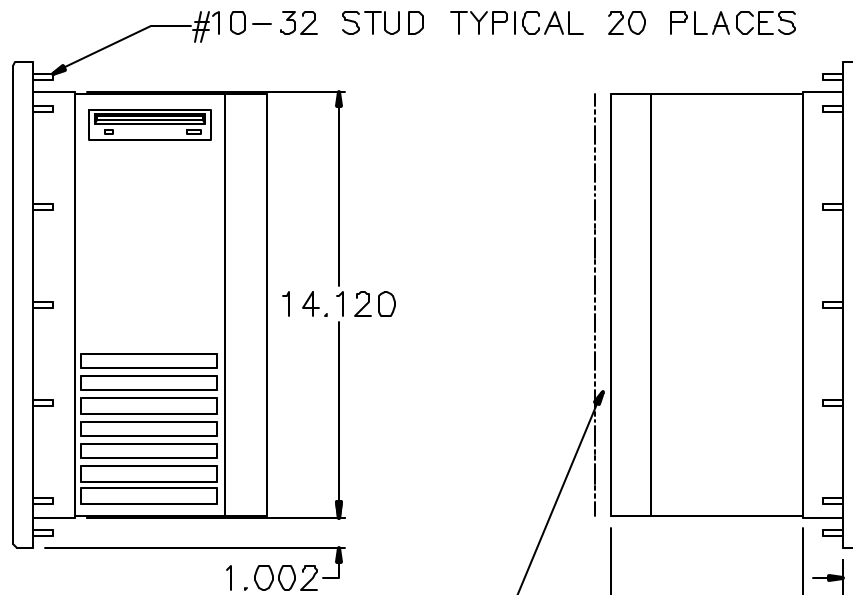


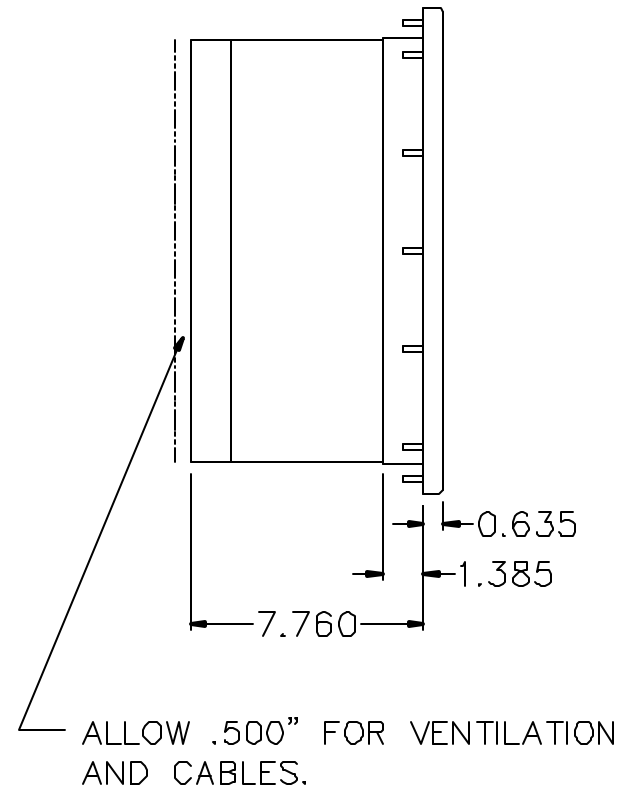
FRONT



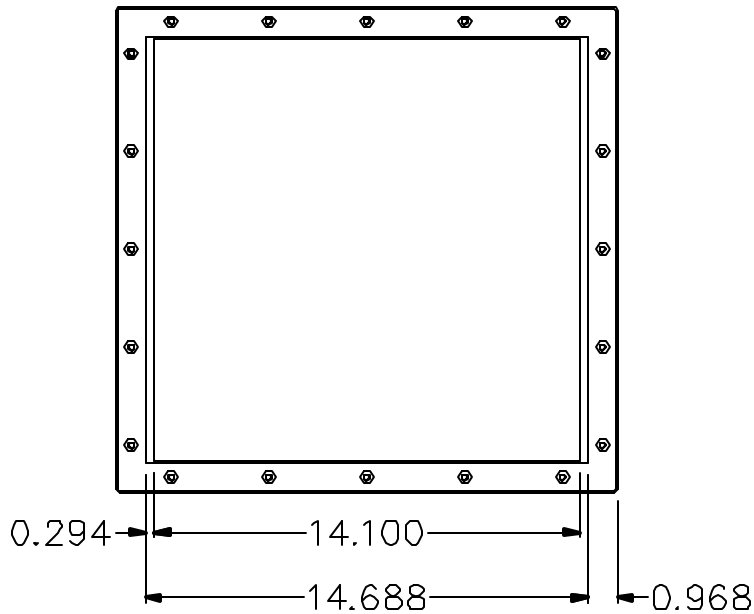
RIGHT SIDE



LEFT SIDE



REAR



15.0" PANEL MOUNT PC
(FULL CHASSIS)

